

# ecodry K-MT 1-4

Efficient compressed air adsorption dryers



In any manufacturing facility, equipment up-time is essential for high productivity and low operational costs. Clean, dry compressed air ensures that a manufacturing plant is kept running efficiently and cost effectively by helping to eliminate contamination related equipment failures.

Compressed air contamination problems can be simply avoided by installing Parker's ecodry K-MT Series high efficiency compressed air adsorption dryer package fitted with Parker domnick hunter OIL-X Series filtration, which are 3rd party validated for performance. These compact packages are suitable for use with any compressor type and are well-matched with point of use applications.

For applications that fluctuate in operating pressure, temperature and flow, the K-MT adsorption dryer series offers an optional energy saving technology called dewpoint dependent switching (DDS). This feature automatically adapts the dryer operation to the inlet conditions and compressed air demand. This energy savings technology ensures energy consumed by the dryer is proportional to the amount of water vapor present, which in turn limits the number of cycles on the dryer's valves and significantly reduces the purge air usage required for regeneration.



## Features

- Efficient removal of water vapor from compressed air
- Delivered air quality is in accordance with all editions of ISO 8573-1, the international standard for compressed air quality
- Achieve pressure dew points of -13°F to -100°F
- Low noise level <75 db (A)
- Optional energy saving dew point dependent switching (DDS)

## Benefits

- Highest quality air – meeting ISO8573-1:2010 Class 2.2.2 as standard
- Dry air eliminates corrosion and microbiological growth
- Improves production efficiency and reduces maintenance costs and downtime
- Easy and flexible installation
- Simple maintenance
- Reduced noise pollution



ENGINEERING YOUR SUCCESS.

# Product Specification

## ecodry K-MT 1-4 adsorption dryer series

### Dryer Performance

| Dryer Models | Dewpoint (Standard) |     | ISO8573-1:2010 Classification (Standard) | Dewpoint (Option 1) |     | ISO8573-1:2010 Classification (Option 1) |
|--------------|---------------------|-----|--|---------------------|-----|--|
|              | °C                  | °F  |  | °C                  | °F  |  |
| K-MT         | -40                 | -40 | Class 2.2.2                              | -25                 | -13 | Class 2.3.2                              |

ISO8573-1 Classifications when used with Parker domnick hunter OIL-X pre / post filtration

### Technical Data

| Dryer Models | Min Operating Pressure |       | Max Operating Pressure |       | Min Operating Temperature |    | Max Operating Temperature |     | Max Ambient Temperature |     | Electrical Supply (Standard) | Electrical Supply (Optional) | Filter Thread Connections (standard) | Filter Thread Connections (optional) | Noise Level |
|--------------|------------------------|-------|------------------------|-------|---------------------------|----|---------------------------|-----|-------------------------|-----|------------------------------|------------------------------|--------------------------------------|--------------------------------------|-------------|
|              | bar g                  | psi g | bar g                  | psi g | °C                        | °F | °C                        | °F  | °C                      | °F  |                              |                              |                                      |                                      |             |
| K-MT         | 5                      | 73    | 15                     | 218   | 5                         | 41 | 50                        | 122 | 50                      | 122 | 115 1ph<br>50/60Hz           | 230V 1ph<br>50/60Hz          | NPT                                  | BSPP                                 | <75         |

### Flow Rates

| Model  | Pipe Size NPT (in) | Inlet Flow Rate |     |                     |                    |
|--------|--------------------|-----------------|-----|---------------------|--------------------|
|        |                    | cfm             | L/s | m <sup>3</sup> /min | m <sup>3</sup> /hr |
| K-MT 1 | 1/4                | 5               | 2   | 0.13                | 8                  |
| K-MT 2 | 1/4                | 9               | 4   | 0.25                | 15                 |
| K-MT 3 | 1/4                | 15              | 7   | 0.42                | 25                 |
| K-MT 4 | 1/4                | 21              | 10  | 0.58                | 35                 |

Stated flows are for operation at 7 bar (g) [102 psi (g)] with reference to 20°C, 1 bar (a), 0% relative water vapor pressure. For flows at other pressures, apply the correction factors shown below.

### Air quality classes, in accordance with ISO 8573-1:2010

|                         |   |
|-------------------------|---|
| Particulate             | Class 2   |
| Humidity / gaseous      | Class 2 and Class 1 (depending upon sizing and dew point setting) |
| Total oil contamination | Class 2   |

### Optional dew point sensor ZHM100

|                                |   |
|--------------------------------|---|
| Pressure dew point at 100 psig | -40 °F factory setting; adjustable via the menu from -13 to -100 °F |
|--------------------------------|---|

### Materials of construction

|                  |  |
|------------------|--|
| Filters          | See product-specification regarding domnick hunter OIL-X filters |
| Pressure vessels | Aluminium  |
| Valve blocks     | Aluminium  |
| Seals            | NBR  |
| Filling          | 100 % Molecular sieve  |

### Pressure vessel approvals

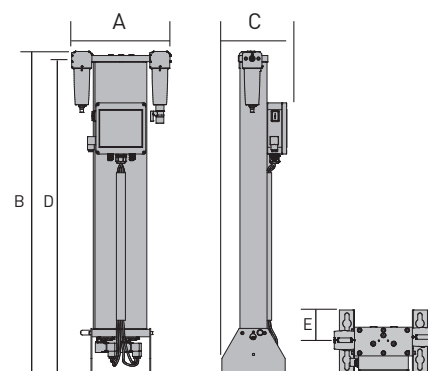
|     |  |
|-----|--|
| EU  | Approval for fluid group 2 in accordance with the Pressure Equipment Directive 97/23/EC. Product range K-MT1 to 2, in accordance with article 3, paragraph 3; product range K-MT3 to 4 in accordance with category I (module A). |
| USA | Approval to ASME VIII Div. 1 not required  |
| AUS | Approval to AS1210 not required  |
| GUS | TR (formerly GOST-R)   |

# Product Specification

## ecodry K-MT 1-4 adsorption dryer series

### Dimensions (in) and weight (lb)

| Model  | A    | B    | C   | D    | E | Weight |
|--------|------|------|-----|------|---|--------|
| K-MT 1 | 12.8 | 15.7 | 8.5 | 14.8 | 4 | 25.4   |
| K-MT 2 | 12.8 | 22.6 | 8.5 | 21.7 | 4 | 34.2   |
| K-MT 3 | 12.8 | 32.5 | 8.5 | 31.5 | 4 | 44.1   |
| K-MT 4 | 12.8 | 42.3 | 8.5 | 41.4 | 4 | 55.1   |



### Quality assurance

|                         |                                   |
|-------------------------|-----------------------------------|
| Development/Manufacture | DIN EN ISO 9001, DIN EN ISO 14001 |
|-------------------------|-----------------------------------|

### Product Selection & Correction Factors

#### CFIT - Correction Factor Maximum Inlet Temperature

| Maximum Inlet Temperature | °C | 25   | 30   | 35   | 40   | 45   | 50   |
|---------------------------|----|------|------|------|------|------|------|
|                           | °F | 77   | 86   | 95   | 104  | 113  | 122  |
| Correction Factor         |    | 0.94 | 0.95 | 1.00 | 1.15 | 1.22 | 1.28 |

#### CFAT - Correction Factor Maximum Ambient Temperature

| Maximum Ambient Temperature | °C | 25   | 30   | 35   | 40   | 45   | 50   |
|-----------------------------|----|------|------|------|------|------|------|
|                             | °F | 77   | 86   | 95   | 104  | 113  | 122  |
| Correction Factor           |    | 1.00 | 1.00 | 1.00 | 1.00 | 1.00 | 1.00 |

#### CFP - Correction Factor Minimum Inlet Pressure

| Minimum Inlet Pressure | bar g | 5    | 6    | 7    | 8    | 9    | 10   | 11   | 12   | 13   | 14   | 15   |
|------------------------|-------|------|------|------|------|------|------|------|------|------|------|------|
|                        | psi g | 73   | 87   | 100  | 116  | 131  | 145  | 160  | 174  | 189  | 203  | 218  |
| Correction Factor      |       | 1.33 | 1.12 | 1.00 | 0.88 | 0.79 | 0.76 | 0.74 | 0.67 | 0.62 | 0.59 | 0.56 |

#### CFD - Correction Factor Dewpoint

| Required Dewpoint | °C | -25  | -40  |
|-------------------|----|------|------|
|                   | °F | -13  | -40  |
| Correction Factor |    | 1.00 | 1.00 |

For correct operation, compressed air dryers must be sized using for the minimum pressure, maximum temperature and maximum flow rate of the installation. To select a dryer, first calculate the MDC (Minimum Drying Capacity) using the formula below then select a dryer from the flow rate table above with a flow rate equal to or above the MDC.

$$\text{Minimum Drying Capacity} = \text{System Flow} \times \text{CFIT} \times \text{CFAT} \times \text{CFP} \times \text{CFD}$$

### Product key

| Series | Range* | Nominal pressure | Version | Generation | Connections* | Mains voltage* | Controls | Options* |
|--------|--------|------------------|---------|------------|--------------|----------------|----------|----------|
| K      | 1 - 4  | /16              | D       | 3          | - G          | 230            | M        | T        |
| K      | 1 - 4  | /16              | D       | 3          | - G          | 24D            | M        |          |
| K      | 1 - 4  | /16              | D       | 3          | - N          | 115            | M        |          |

### Examples

|   |   |     |   |   |     |     |   |   |
|---|---|-----|---|---|-----|-----|---|---|
| K   | 3 | /16 | D | 3 | - G | 230 | M |   |
| K-MT 3 standard version with G1/4" (BSP-P) connections, 230V/50-60Hz Multitronic -plus control.   |   |     |   |   |     |     |   |   |
| K   | 3 | /16 | D | 3 | - N | 115 | M | T |
| K-MT 3 with NPT1/4" connections, 115V/50-60Hz Multitronic-plus control and dewpoint sensor ZHM100 |   |     |   |   |     |     |   |   |

\* variable information

- Note: Option T for dewpoint sensor ZHM100 provides dewpoint dependent switching (DDS) and dewpoint display

# Product Specification

## ecodry K-MT 1-4 adsorption dryer series

### Product Catalog Numbers for Dryers and Filters

| For Dryer Model | Catalog Number | Inlet General Purpose Pre-filter (optional) | Inlet High Efficiency Filter (included) | Outlet Dust Filter (included) |
|-----------------|----------------|---|---|-------------------------------|
| K-MT 1          | K1/16D3-N115M  | AOPX010ANFX                                 | AAPX010ANFX                             | AOPX010ANMX                   |
| K-MT 2          | K2/16D3-N115M  | AOPX010ANFX                                 | AAPX010ANFX                             | AOPX010ANMX                   |
| K-MT 3          | K3/16D3-N115M  | AOPX010ANFX                                 | AAPX010ANFX                             | AOPX010ANMX                   |
| K-MT 4          | K4/16D3-N115M  | AOPX010ANFX                                 | AAPX010ANFX                             | AOPX010ANMX                   |

For correct operation and to ensure the ISO8573-1 air quality classifications are met, the above Parker domnick hunter filtration must also be installed. Filtration should be ordered separately.

### Service Kits for Preventative Maintenance

| Order No.         | Suitability     | Voltage     | Interval     | Scope of supply   |
|-------------------|-----------------|-------------|--------------|---|
| SKK1-K4/D3/12     | K-MT 1 - K-MT 4 | 115V & 230V | 12/36 months | Reset module, silencer, and filter elements   |
| SKK1-K4/D3/24     | K-MT 1 - K-MT 4 | 115V & 230V | 24 months    | Reset module, wear part set for in-/outlet valves, silencer, and filter elements  |
| SKK1-K4/D3/48/115 | K-MT 1 - K-MT 4 | 115V        | 48 months    | Reset module, wear part set for in-/outlet valves, solenoid coils, non-return valves, demister, perforated plate, perforated plate gaskets, silencer, and filter elements |
| SKK1-K4/D3/48     | K-MT 1 - K-MT 4 | 230V        |              |   |

### DESPACs: Amount of required desiccant packs for each model - for preventative maintenance after 48 months

| Order No. | K-MT 1 | K-MT 2 | K-MT 3 | K-MT 4 |
|-----------|--------|--------|--------|--------|
| DESPAC1MS | 1      |        | 1      |        |
| DESPAC4MS |        | 1      | 1      | 2      |

### Loose accessories

| Order No.      | Function                  | Suitability     | Order No.       | Function              | Suitability     |
|----------------|---------------------------|-----------------|-----------------|-----------------------|-----------------|
| VASRGR/K1-K8   | Regeneration gas return   | K-MT 1 - K-MT 4 | VASNOZ/K1-K95   | Nozzle kit            | K-MT 1 - K-MT 4 |
| VASDPDP/K1-K95 | Dew point measurement     | K-MT 1 - K-MT 4 | VASVPB/K1-K4/08 | Start-up device G1/4i | K-MT 1 - K-MT 4 |
| VASMBS420      | Signal duplicator 4-20 mA | K-MT 1 - K-MT 4 | VASFS3/K1-K4    | Fine filter muffler   | K-MT 1 - K-MT 4 |

