



**STRONG PARTNERS.
TOUGH TRUCKS.™**



HYSTER UT SERIES

ELECTRIC WALKIE PALLET TRUCK

P2.0UTE / 2000KG

HYSTER.COM.AU

> OVERVIEW

P2.OUTE

THE HYSTER® ELECTRIC WALKIE PALLET TRUCK P2.OUTE COMBINES ERGONOMIC FEATURES AND RELIABLE PERFORMANCE WITH ENERGY EFFICIENT TECHNOLOGY. THE LOW-MAINTENANCE HELPS INCREASE PRODUCTIVITY AND REDUCE OPERATIONAL COSTS.

Standard Features

- Brushless maintenance free AC motor
- Sealed maintenance free batteries
- Small turning radius 1335mm-1405mm (width 520/550/685mm)
- Self-adjusting caster wheels
- Drive capability when tiller is upright, greatly reducing turning space
- Tiller head with max. speed limit button
- Emergency stop and belly button
- Casters to increase stability
- Exit roller
- BDI and hour meter
- Built-in charger

Options

- External charger
- Various fork widths and lengths available



**Handle (Standard)
(Left & Right Handed)**

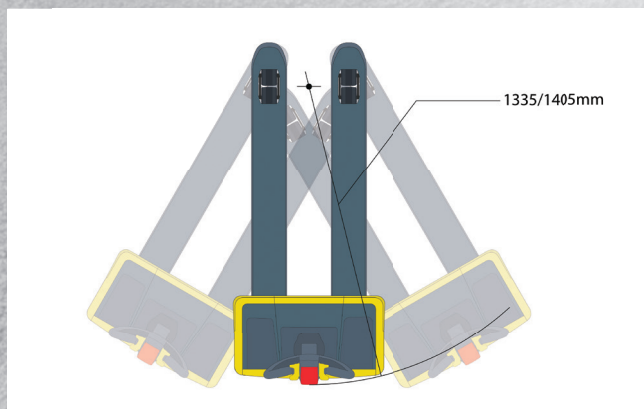


**Entry Roller for
Easy Operation**

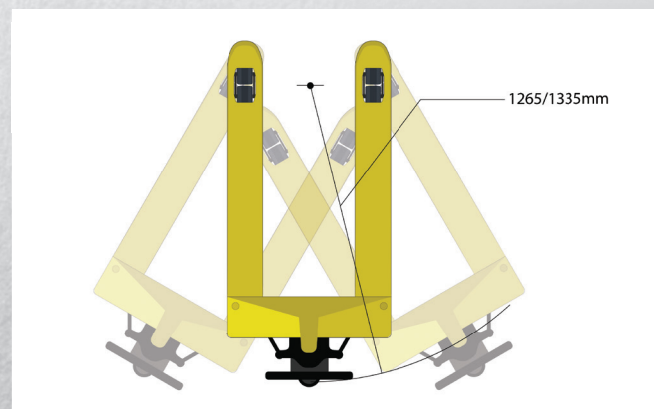
TURNING RADIUS

The P2.OUTE has a small turning radius. When switched to low speed it adapts to narrow spaces. Ideal for shipping containers and tail gate applications.

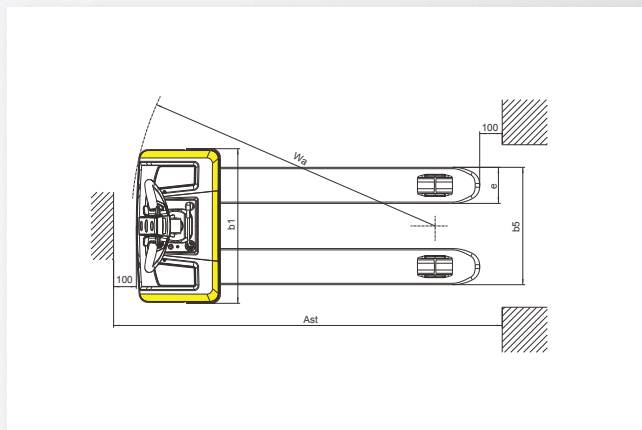
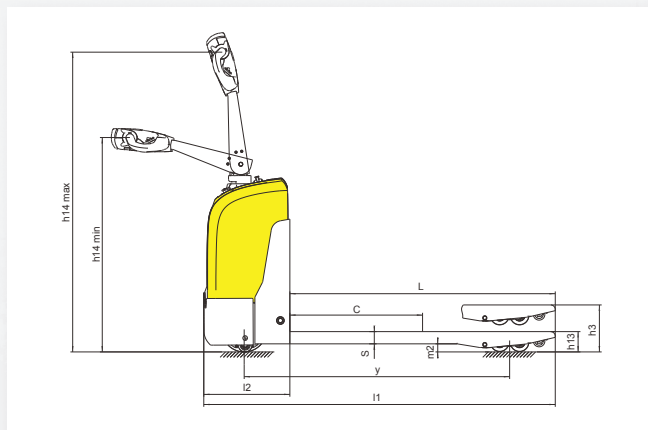
MINI Type Pallet Truck



Hand Pallet Truck

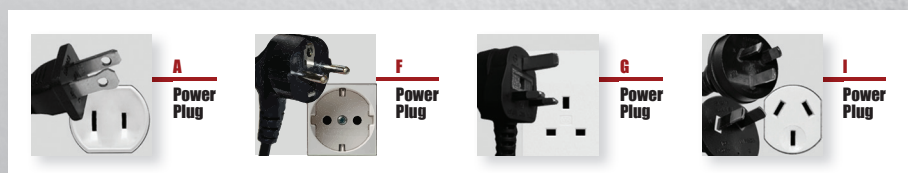


SPECIFICATIONS AND DIMENSIONS



MODEL	MEASUREMENT	P2.0UTE
Load capacity	Q (kg)	2000
Load centre distance	c (mm)	600
Wheelbase	y (mm)	1130
Fork height, lowered	h13 (mm)	85/75
Tyre size, front	mm	Φ195x70
Tyre size, rear (single)	mm	Φ80x93/Φ74x93
Tyre size, rear (double)	mm	Φ80x70/Φ74x70
Wheels number front rear (x = driven wheels)		1X-2/4
Max. lift height	h3 (mm)	190/180
Height of tiller in drive position min./max.	h14 (mm)	950/1310
Overall length	l1 (mm)	1525/1595
Length to face of forks	l2 (mm)	375
Overall width	b1 (mm)	685
Fork dimensions	s/e/l (mm)	53/160/1150 (1220)
Width overall forks	b5 (mm)	520/550/685
Aisle width for pallets 1000x1200 (1200 crossways)	Ast (mm)	1725/1795
Aisle width for pallets 800x1200 (1200 lengthways)	Ast (mm)	1775/1795
Turning radius	Wa (mm)	1335/1405
Drive motor power	kW	0.9
Lift motor power	kW	0.8
Sound level at the driver's ear according to DIN12503	dB (A)	70
Travel speed, laden/unladen	Km/h	4/4.5
Battery voltage/nominal capacity K20	V/Ah	24/105
Battery dimensions l/w/h	mm	260/169/215
Battery weight	Kg	49
Service weight (with battery)	Kg	250

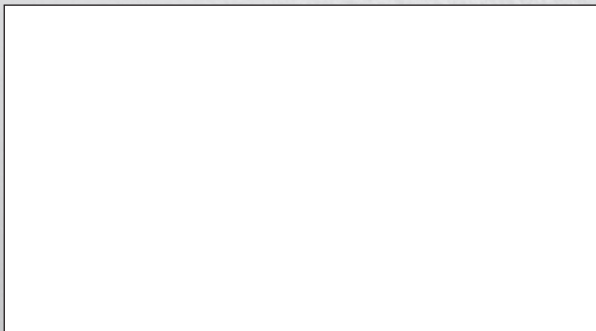
P2.0UTE Power Plug Type



HYSTER® DEALERS



Contact your nearest Hyster® Dealership
by visiting www.hyster.com.au



HYSTER PACIFIC

1 Bullecourt Avenue, Milperra NSW, Australia 2214
Tel: +61 (2) 9795 3800 Fax: +61 (2) 9792 8484
hyster.com/pacific/en-au

HYSTER ASIA

16 Tuas Avenue 20, Singapore 638827
Tel: +65 6863 3387 Fax: +65 6863 3349
hyster.com/asia/en-sg



/Hysterasiapacific



HysterJAPIC



Hyster Asia-Pacific